

The PWIP2EB is a 2MP IP IR eyeball camera with a 2.8mm lens. The camera also features up to 30m IR night view distance as well as being IP67.

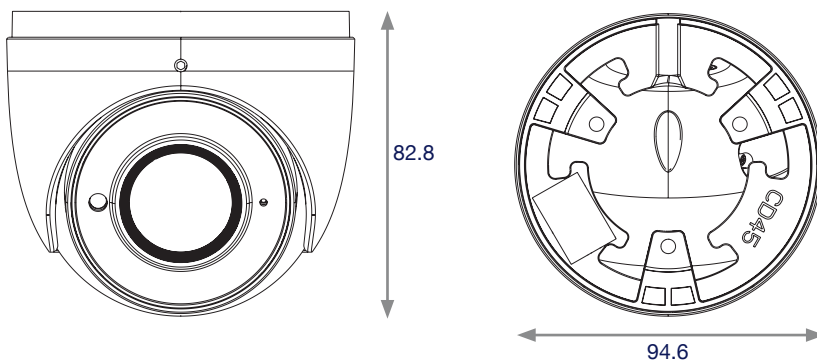


PWIP2EB

### Key Features

- 2MP (1920 x 1080) H.265 full real time coding
- Maximum resolution: 1920 x 1080, ICR auto switch, true day / night
- 20~30m IR night view distance
- 3D DNR, digital WDR, HLC, BLC and ROI coding
- 1CH built-in MIC
- Hardware reset
- Built-in micro SD card slot, up to 128GB
- DC12V / PoE power supply
- IP67 ingress protection
- Supports dual streams
- Supports mobile surveillance by smart phones and tablet PCs with iOS or Android OS
- Intelligent analytics (optional): video blur detection, line crossing detection and region intrusion detection

### Dimensions (mm)



## Specification

Model Number	PWIP2EB
<b>Camera</b>	
<b>Image Sensor</b>	1 / 2.9 "CMOS
<b>Image Size</b>	1920 x 1080
<b>Electronic Shutter</b>	1 / 25 s ~ 1 / 100000 s
<b>Iris Type</b>	Fixed Iris
<b>Minimum Illumination</b>	0.0035 Lux @ F1.2,AGC ON; 0 Lux with IR 0.013 Lux @ F2.31,AGC ON; 0 Lux with IR
<b>Lens</b>	2.8 mm @ F2.0, Horizontal field of view: 107°
<b>Lens Mount</b>	M12
<b>Wide Dynamic Range</b>	Digital WDR
<b>BLC</b>	Yes
<b>HLC</b>	Yes
<b>Defog</b>	Yes
<b>Digital NR</b>	3D DNR
<b>Angle Adjustment</b>	Pan: 0°~360°, Tilt: 0°~75°, Rotation: 0°~360°
<b>Image</b>	
<b>Video Compression</b>	H.265 / H.264 / MJPEG
<b>H.265 Compression Standard</b>	Main Profile @ Level 4.1 High Tier
<b>Resolution</b>	1080P (1920 x 1080), 720P (1280 x 720), D1, CIF, 480 x 240
<b>Main Stream</b>	60Hz : 1080P / 720P (1~30fps) 50Hz : 1080P / 720P (1~25fps)
<b>Sub Stream</b>	60Hz : D1 / CIF / 480 x 240 (1~30fps) 50Hz: D1 / CIF / 480 x 240 (1~25fps)
<b>Bit Rate</b>	64 Kbps ~ 6 Mbps
<b>Bit Rate Type</b>	VBR / CBR
<b>Audio Compression</b>	G711A / U
<b>Image Settings</b>	ROI, Saturation, Brightness, Chroma, Contrast, Wide Dynamic, Sharpen, NR, etc. Adjustable through client software or web browser
<b>ROI</b>	Each ROI to be configured separately
<b>Interface</b>	
<b>Network</b>	RJ45
<b>Video Output</b>	No
<b>Audio</b>	Built-in MIC x1
<b>Storage</b>	Built-in Micro SD card slot, Up to 128GB
<b>Hardware Reset</b>	Yes
<b>Functions</b>	
<b>Remote Monitoring</b>	Web browsing, CMS remote control
<b>Online Connection</b>	Supports simultaneous monitoring for up to 3 users. Supports multi-stream real time transmission
<b>Network Protocol</b>	UDP, IPv4, IPv6, DHCP, NTP, RTSP, PPPoE, DDNS, SMTP, FTP, HTTP, 802.1x, UPnP, HTTPs, QoS
<b>Interface Protocol</b>	ONVIF

<b>Storage</b>	Network remote storage, Micro SD card storage
<b>Smart Alarm</b>	Motion detection, SD card error, SD card full
<b>Intelligent Analytics</b>	Video blur detection, line crossing detection and region intrusion detection
<b>General Function</b>	Watermark, IP address filtering, video mask, heartbeat, illegal login lock
<b>PoE</b>	Optional
<b>IR Distance</b>	20 ~ 30 m
<b>Others</b>	
<b>IP Rating</b>	IP67
<b>Power Supply</b>	DC12V (PoE power supply optional)
<b>Power Consumption</b>	< 5.5W
<b>Operating Environment</b>	- 30 °C ~ 60°C (-22°F~140°F) Humidity: Less than 95% (Non-condensing)
<b>Dimensions</b>	94.6 x 82.8 mm
<b>Weight</b>	Approximately 0.45Kg

Bioaccess Sales Ltd. reserves the right to change specifications without notice.  
Please contact your representative to confirm current specifications.

## Accessories

- 
**WIPSBP**  
Small Sized Junction Box for Bullet  
and Eyeball Cameras - White
- 
**WJBSBWP**  
Waterproof Junction Box for Medium  
Varifocal Bullet Cameras - White
- 
**WIPMPPM**  
Multi Purpose Pole Mount Bracket for  
WIP, WHD and WAHD Ranges - White
- 
**WIPMPCM**  
Multi Purpose Corner Mount Bracket for  
WIP, WHD and WAHD Ranges - White
- 
**WIPSWM**  
Surface Mount Wall Bracket -  
Junction Box NOT included - White
- 
**WIPSCM**  
Ceiling Mount for Fixed and Varifocal  
Lens WIP, WHD and WAHD Vandal  
Resistant Domes (Requires associated  
JB) - White